

For Residential and Commercial Applications

| | | | |
|----------------|--|----------------------|--|
| Job Name | | Engineer / Architect | |
| Job Location | | Wholesaler | |
| Submittal Date | | Contractor | |

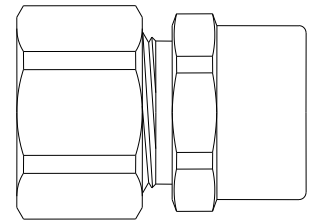
14/ 24/ 34 Series Compression x Sweat Unions – Drill Through

Use: For use with instrumentation, hydraulic and pneumatic systems. Designed for use with aluminum, copper and plastic tubing. Not intended for use with steel tubing

* Plastic tubing requires a plastic insert and sleeve (see 60PT & 63PT submittal forms for details).

Design Features:

- **Little to no tube preparation on Compression connection.**
Compression connections do not require flaring, soldering or other types of tube preparation
- **Available in a broad range of sizes**
- **Compliant Fittings available** for California and Vermont “low-lead” requirements



Operating Specifications:

Temperature: -65° - 250° F at maximum operating pressures

Working Pressure: See chart below

Vibration: Fair vibration resistance

| WORKING PRESSURE | | |
|------------------|-----------|--------------------|
| PSI | Tube O.D. | Tube Wall (Inches) |
| 400 | 1/8 | 0.030 |
| 400 | 3/16 | 0.030 |
| 300 | 1/4 | 0.030 |
| 300 | 5/16 | 0.032 |
| 200 | 3/8 | 0.032 |
| 200 | 1/2 | 0.032 |
| 150 | 5/8 | 0.035 |
| 100 | 3/4 | 0.035 |
| 75 | 7/8 | 0.035 |

Standard

| MATERIAL SPECIFICATIONS | |
|---------------------------|-----------------------------------|
| Fitting Body | C36000 brass |
| Compression Sleeve | C36000 brass |
| Compression Nut | Chrome-plated C36000 brass |

Compliant

| | |
|---------------------------|-----------------------------------|
| Fitting Body | Compliant brass |
| Compression Sleeve | C36000 brass |
| Compression Nut | Chrome-plated C36000 brass |

Standard Part Listing:

- 24 R 1/2" Nom. Sweat x 1/4" OD Tube, chrome plated
- 14 C 1/2" Nom. Sweat x 3/8" OD Tube – drill through, chrome plated

This specification and all information contained herein is the confidential and exclusive property of BrassCraft Manufacturing, and shall not be disclosed to others without the written consent of BrassCraft. This specification must be returned to BrassCraft if requested.



14/ 24/ 34 Series Compression x Sweat Unions – Drill Through

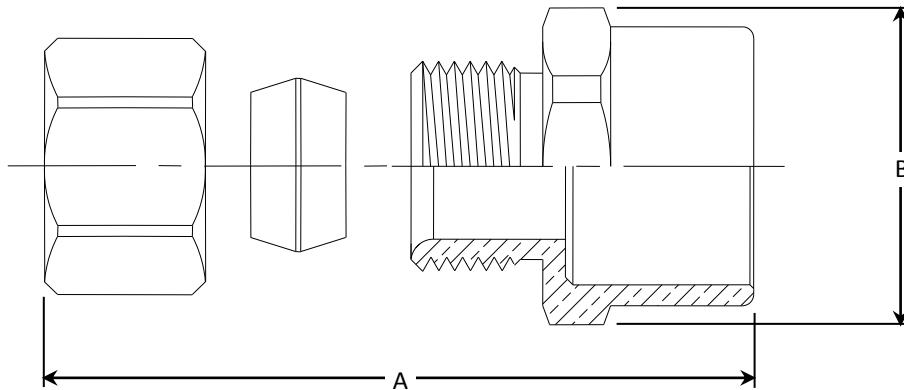
Standard Part Listing (con't):

- 14 CBT 1/2" Nom. Sweat x 3/8" OD Tube – drill through, chrome plated, plain tray, bulk
- 14 R 1/2" Nom. Sweat x 3/8" OD Tube – drill through, rough brass
- 14-1 RBT 1/2" Nom. Sweat x 3/8" OD Tube – unreamed, rough brass, plain tray, bulk
- 14-2 RBT 1/2" Nom. Sweat x 3/8" OD Tube – body only, rough brass, plain tray, bulk
- 34 C 1/2" Nom. Sweat x 1/2" OD Tube, chrome plated
- 34 R 1/2" Nom. Sweat x 1/2" OD Tube, rough brass

Compliant Part Listing:

- 14X R 1/2" Nom. Sweat x 3/8" OD Tube – drill through, rough brass
- 14X-2 RB 1/2" Nom. Sweat x 3/8" OD Tube – body only, drill through, rough brass, bulk

| PART DIMENSIONS (Inches) | | |
|---------------------------------|---------------|---------------|
| Model | DIM. A | HEX. B |
| 24 | 1.08 | 3/4 |
| 14 | 1.08 | 3/4 |
| 34 | 1.07 | 3/4 |



Listings & Certifications:

- Compliant product CSA approved to California Health & Safety Code 116875 and Vermont Bill S.152 (Project # 21745785)



This specification and all information contained herein is the confidential and exclusive property of BrassCraft Manufacturing, and shall not be disclosed to others without the written consent of BrassCraft. This specification must be returned to BrassCraft if requested.

BrassCraft®